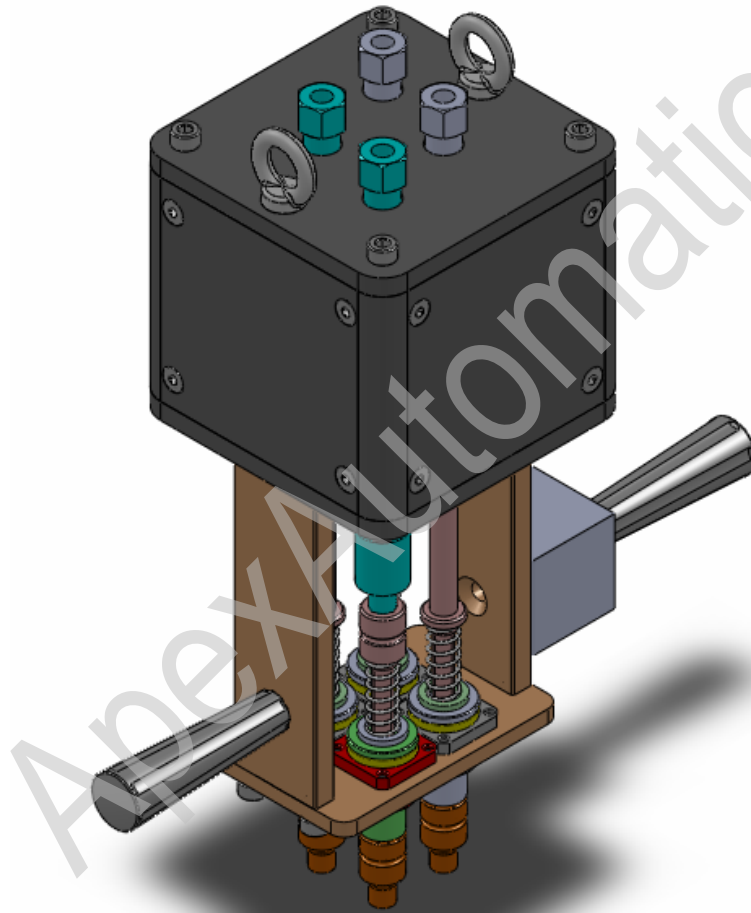
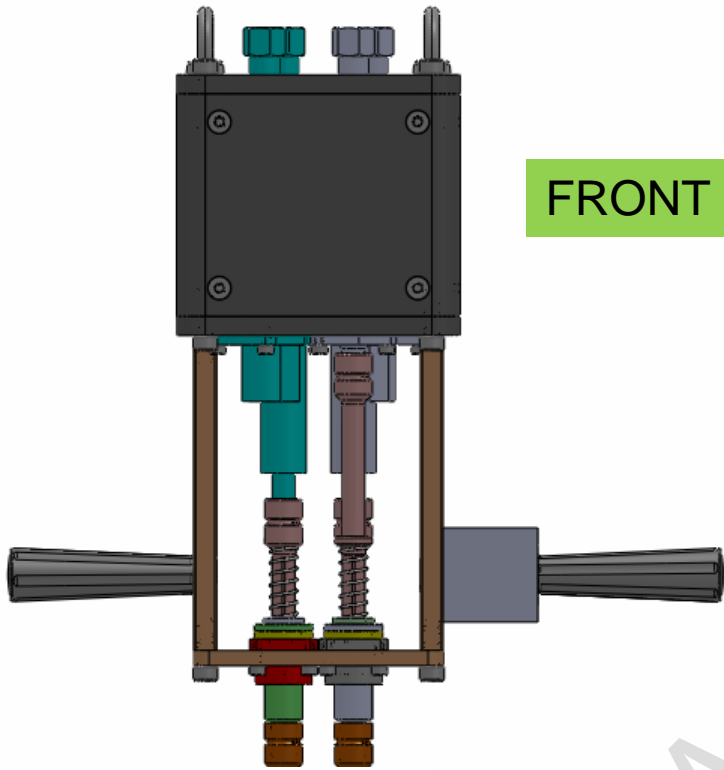


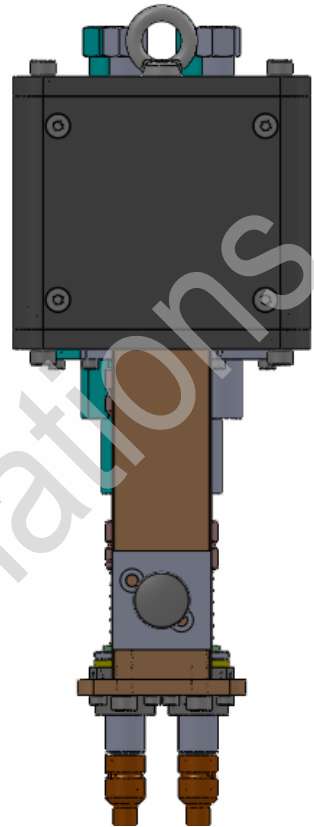
# MULTI-SPINDLE NUT RUNNER



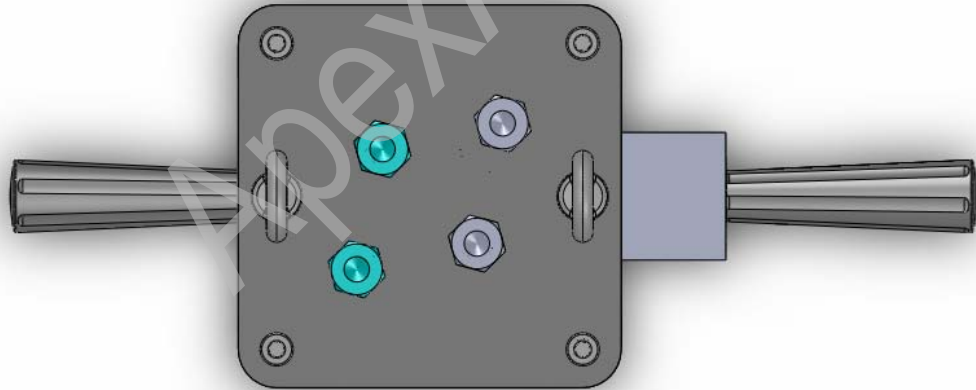
ISOMETRIC VIEW



FRONT VIEW



RIGHT VIEW



TOP VIEW

# MAJOR DIMENSIONS OF MULTI-SPINDLE NUT RUNNER

