

PNEUMATIC GRIPPER FOR HANDLING LPG CYLINDER

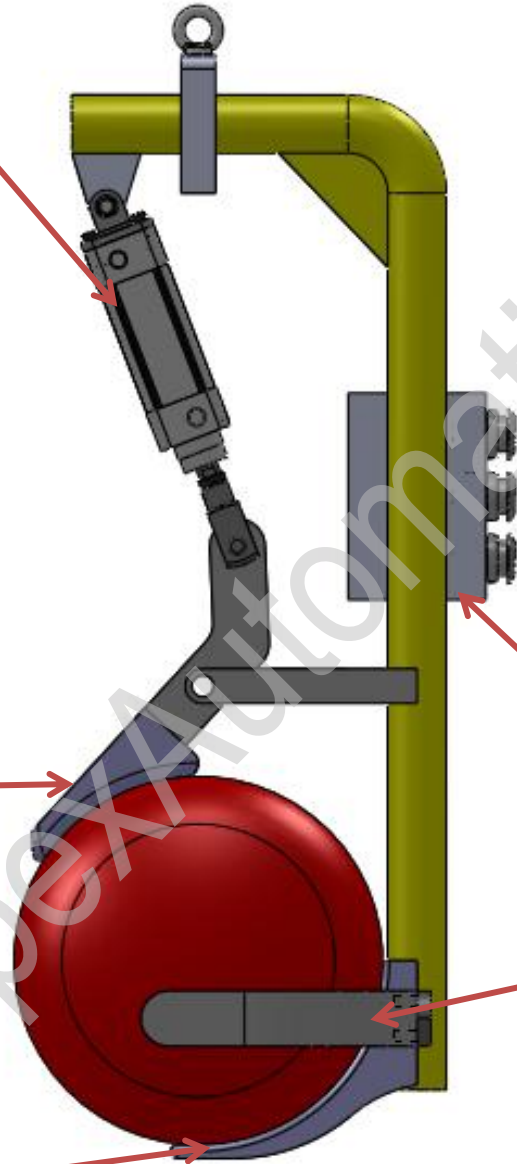
PNEUMATIC CYLINDER FOR CLAMP AND DE-CLAMP

MOVABLE JAW

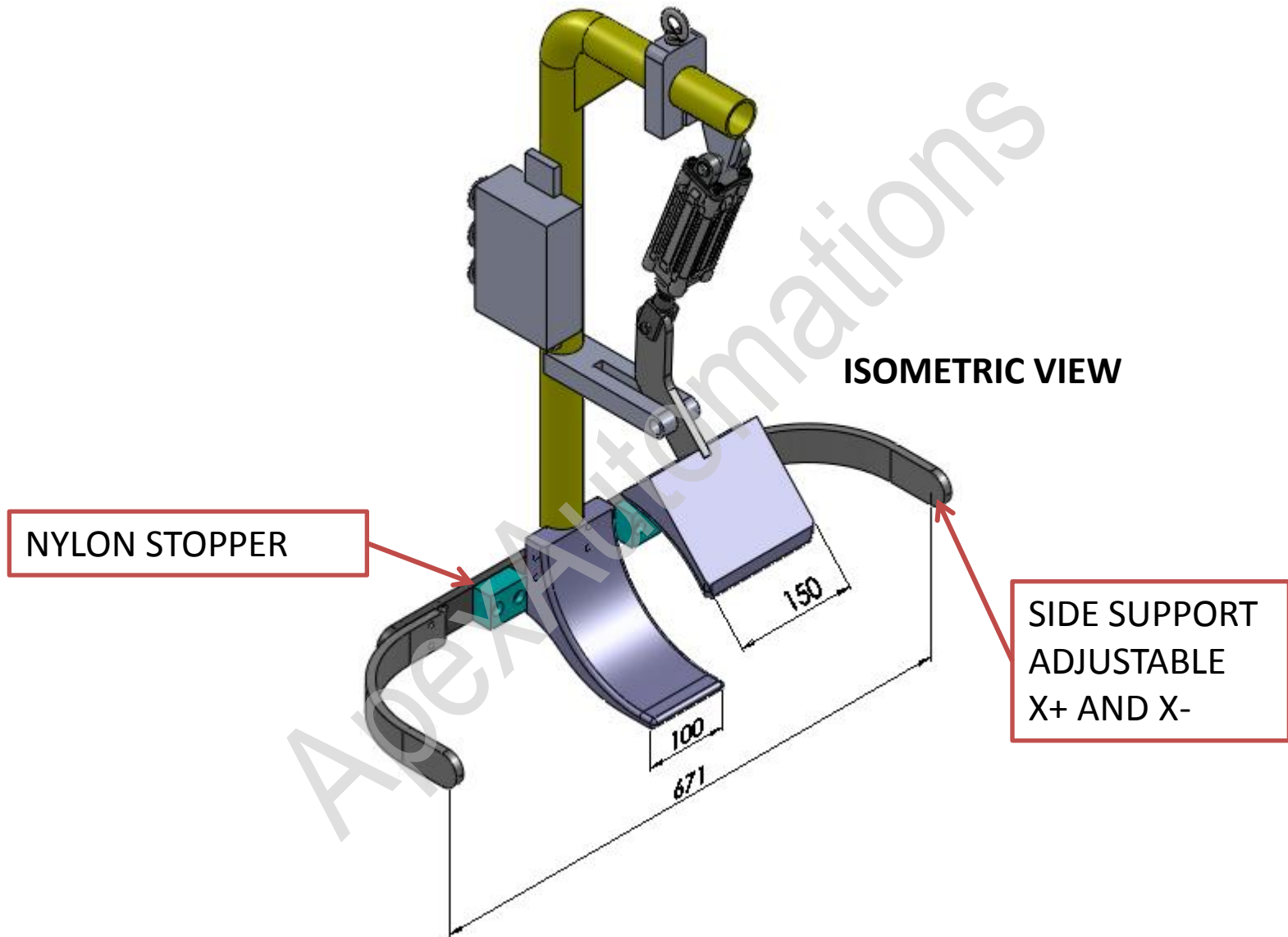
FIXED JAW

PNEUMATIC CONTROL BOX

SIDE SUPPORT



PNEUMATIC GRIPPER FOR HANDLING LPG CYLINDER



PNEUMATIC GRIPPER FOR HANDLING LPG CYLINDER

LPG CYLINDER CLAMPED
CONDITION IN ISOMETRIC
VIEW

