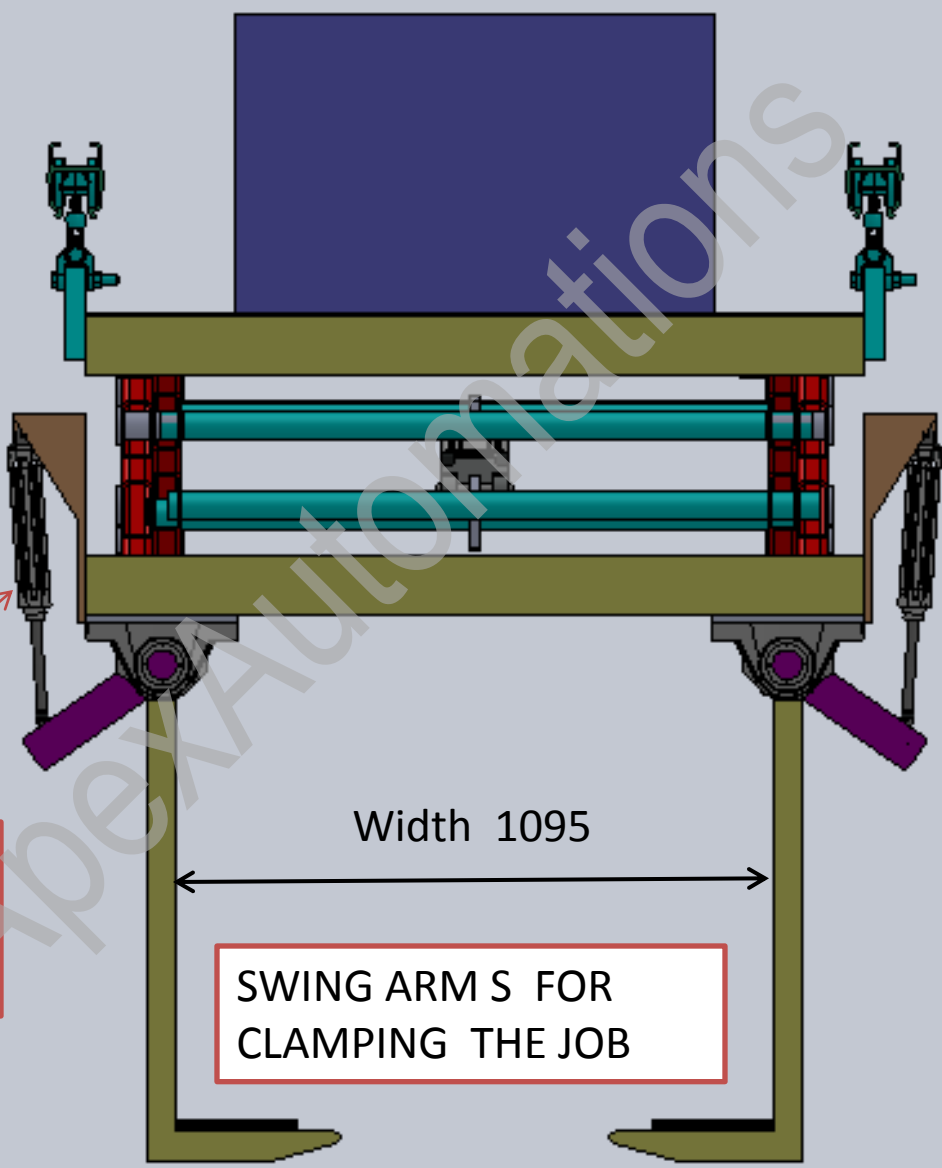


SCISSOR LIFT LIFTED CONUDATION

Max height 2100

ApexAutomations

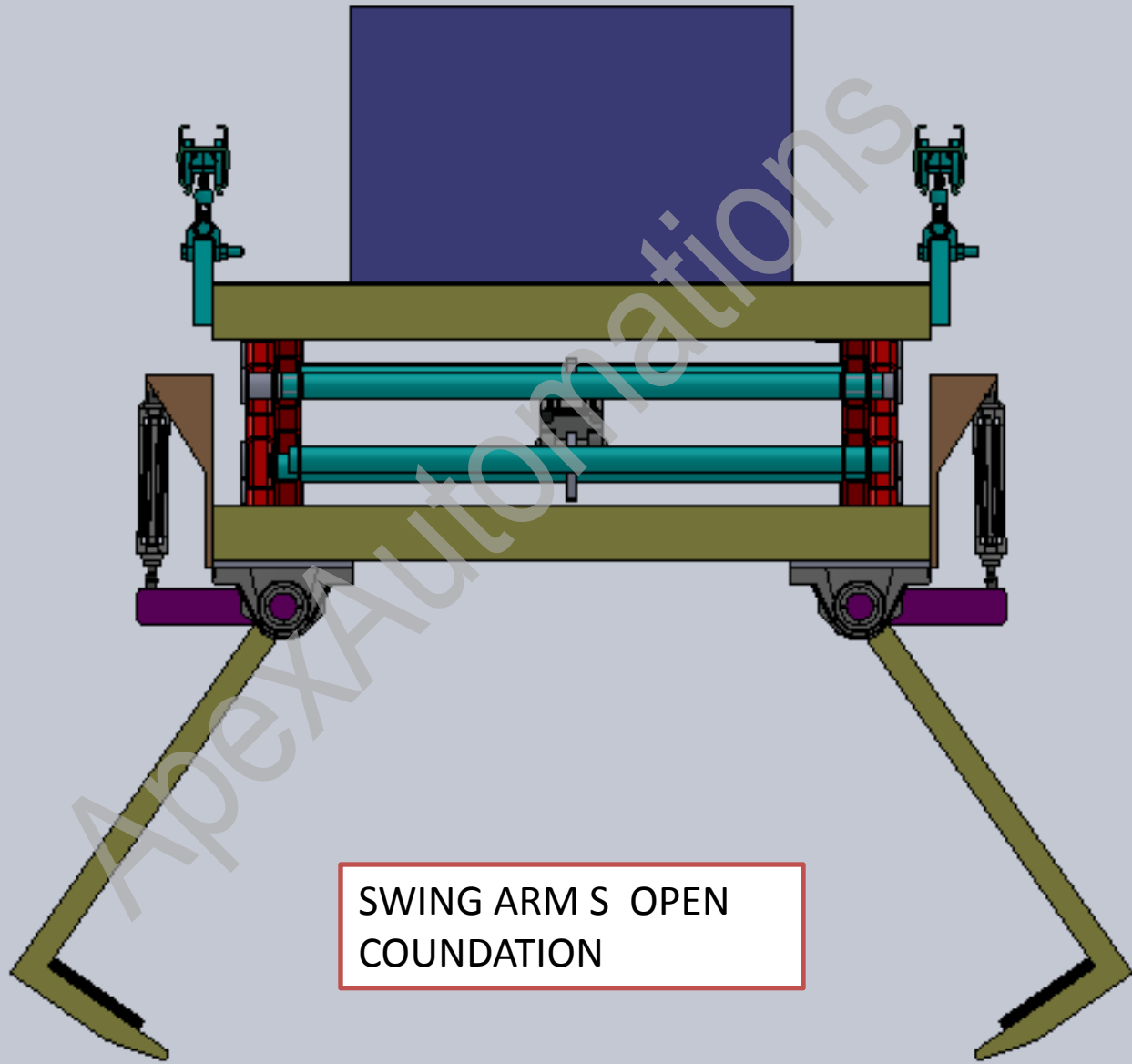
CLAMPING MEMBER



HYDRAULIC CYLINDER  
FOR CLAMPING AND  
DECLAMPING OF JOB

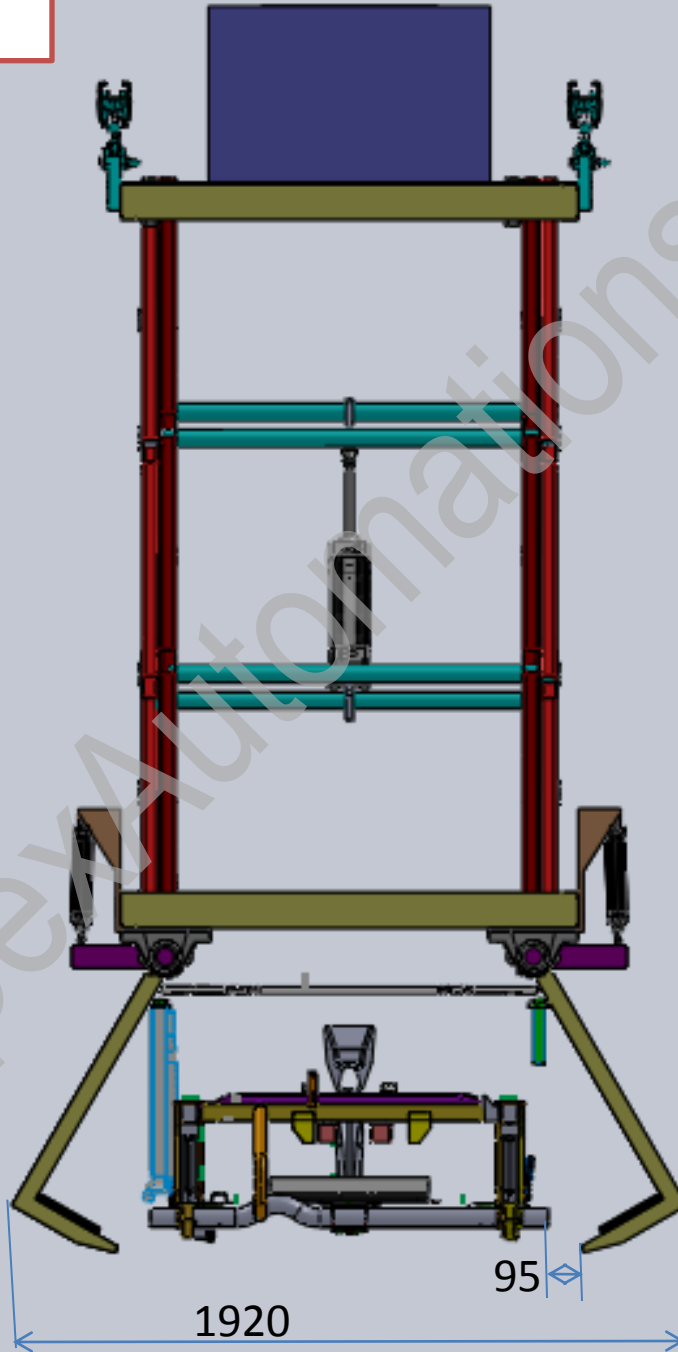
Width 1095

SWING ARMS FOR  
CLAMPING THE JOB



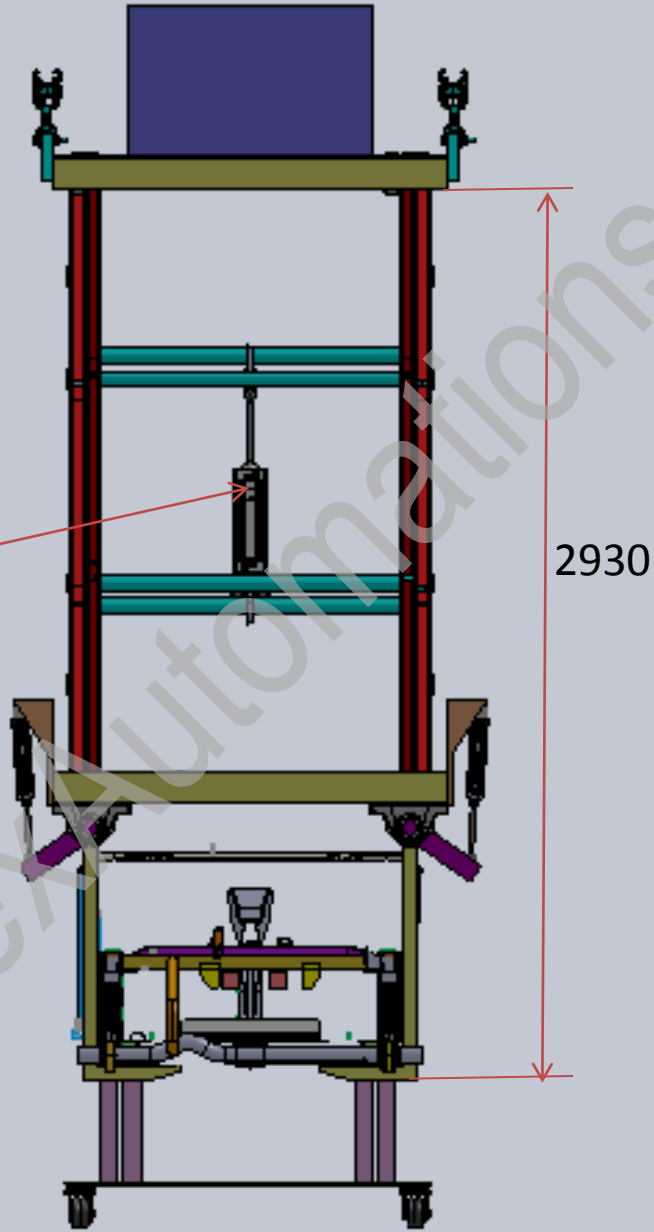
SWING ARM S OPEN  
COUNDATION

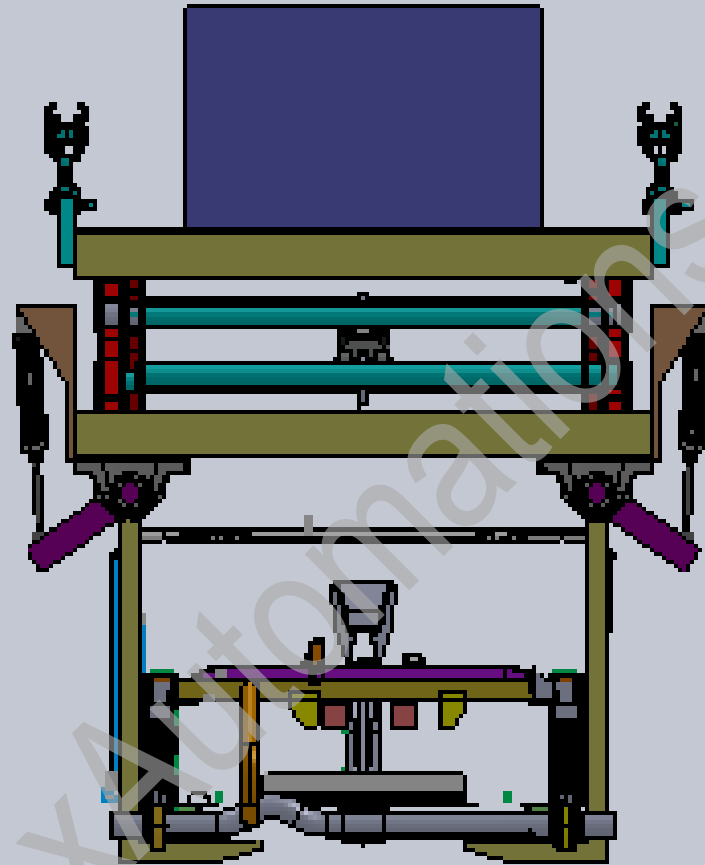
READY TO CLAMP THE JOB



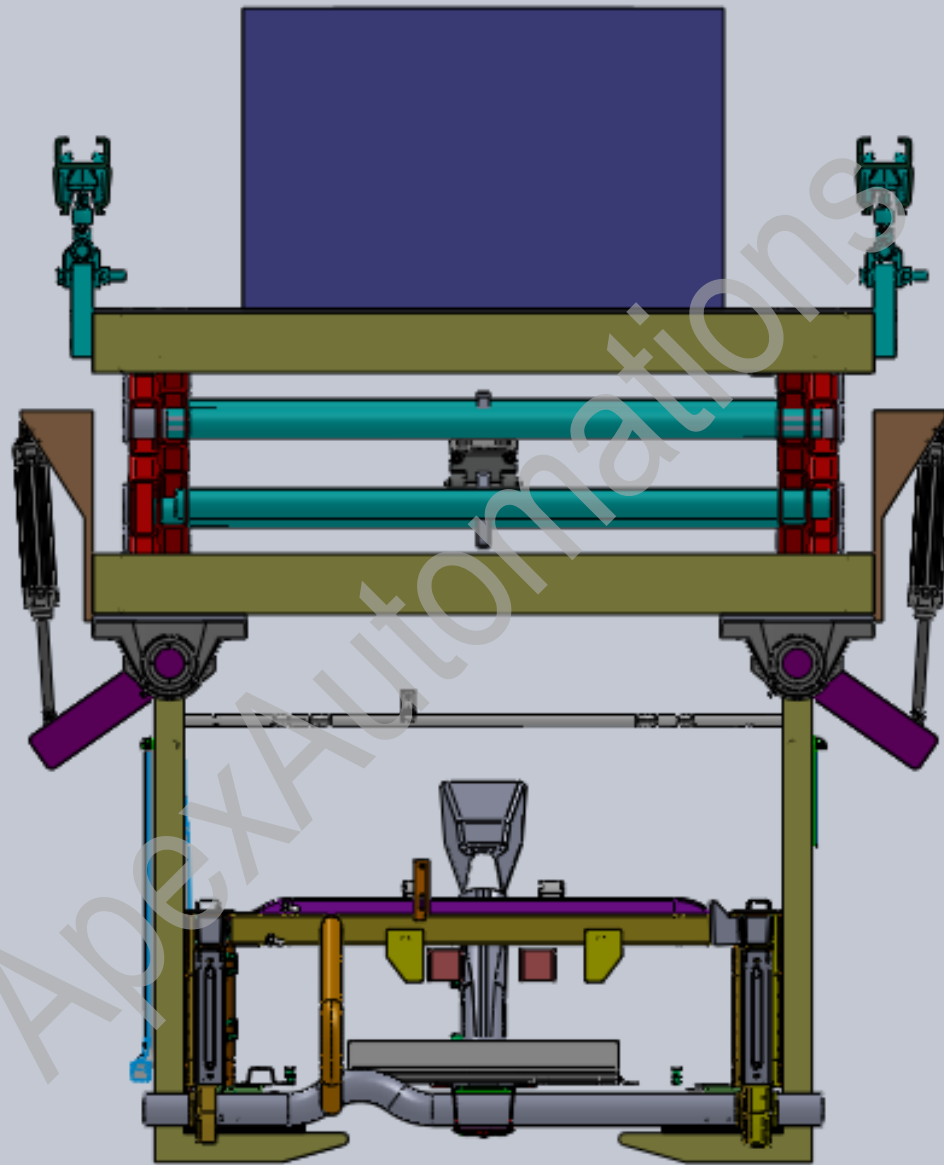
READY TO LIFT THE JOB

HYDRAULIC CYLINDER  
FOR Z+ & Z- AXIS

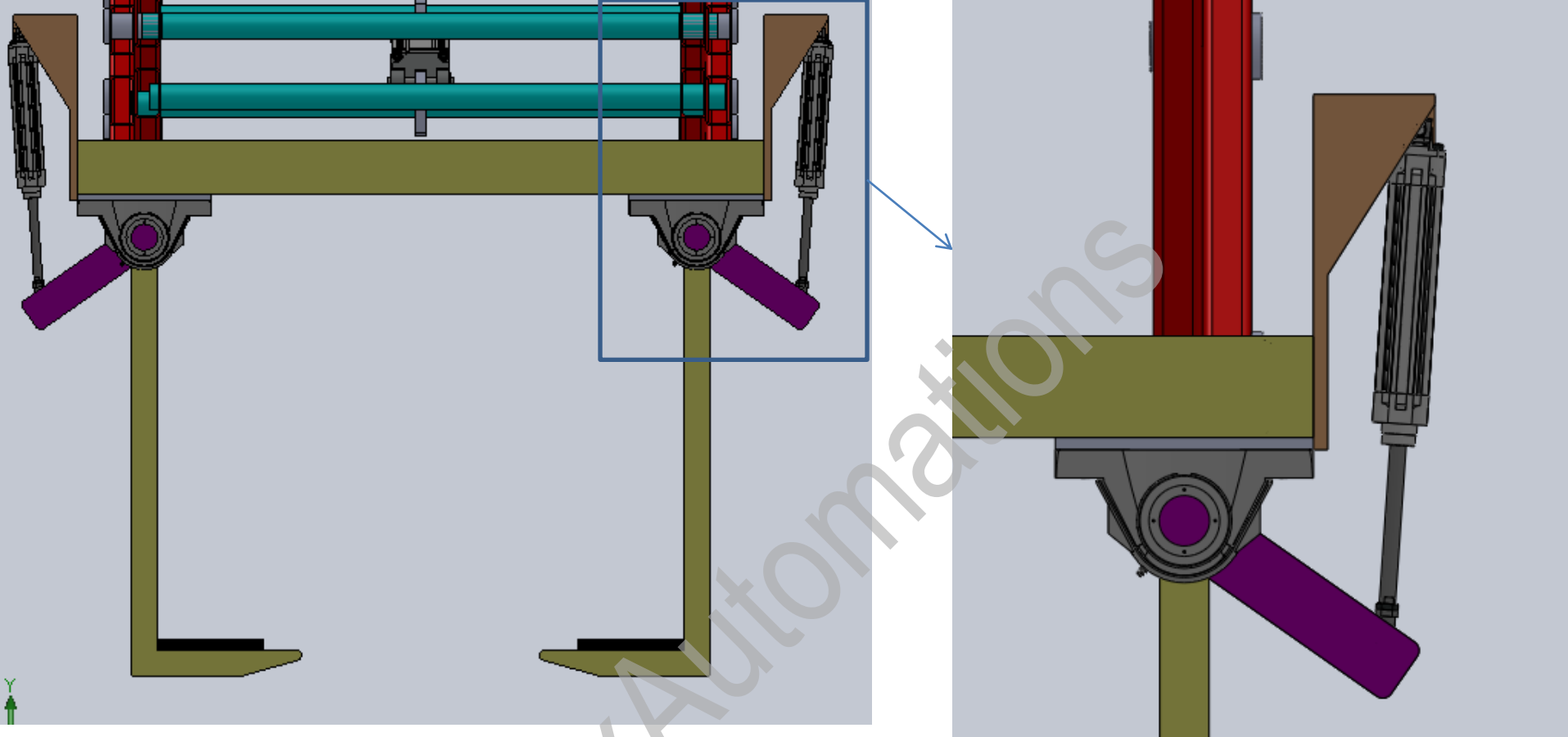




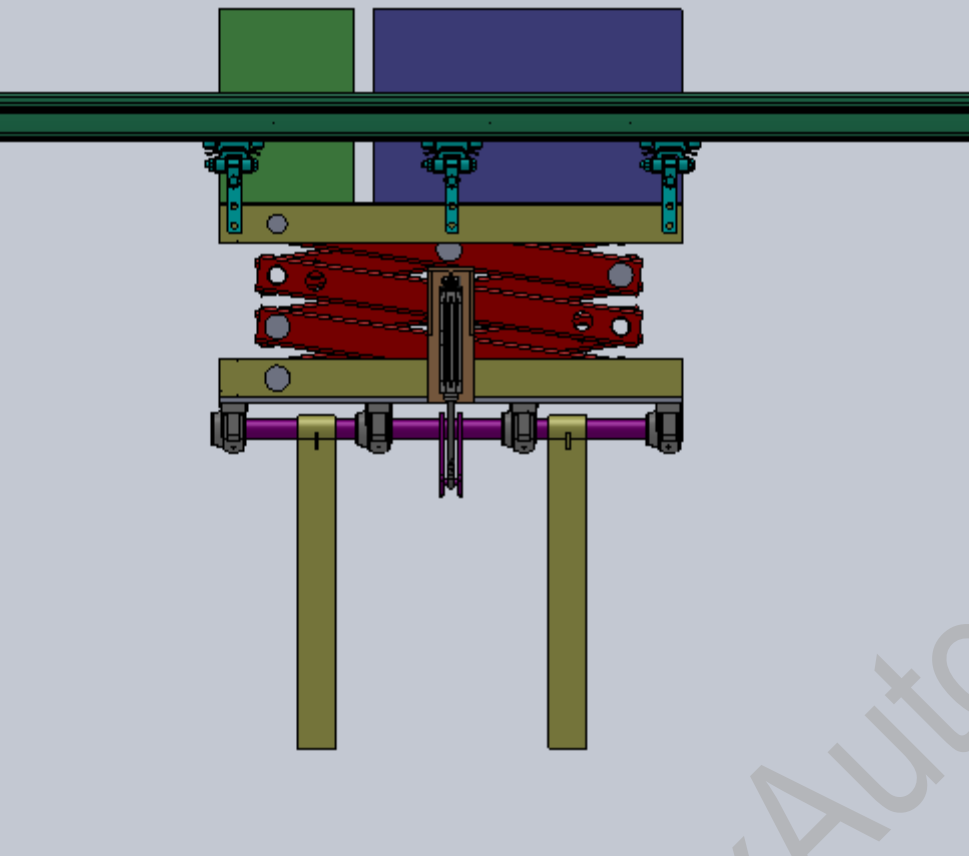
JOB LIFTED CONDITION TO MAX HEIGHT



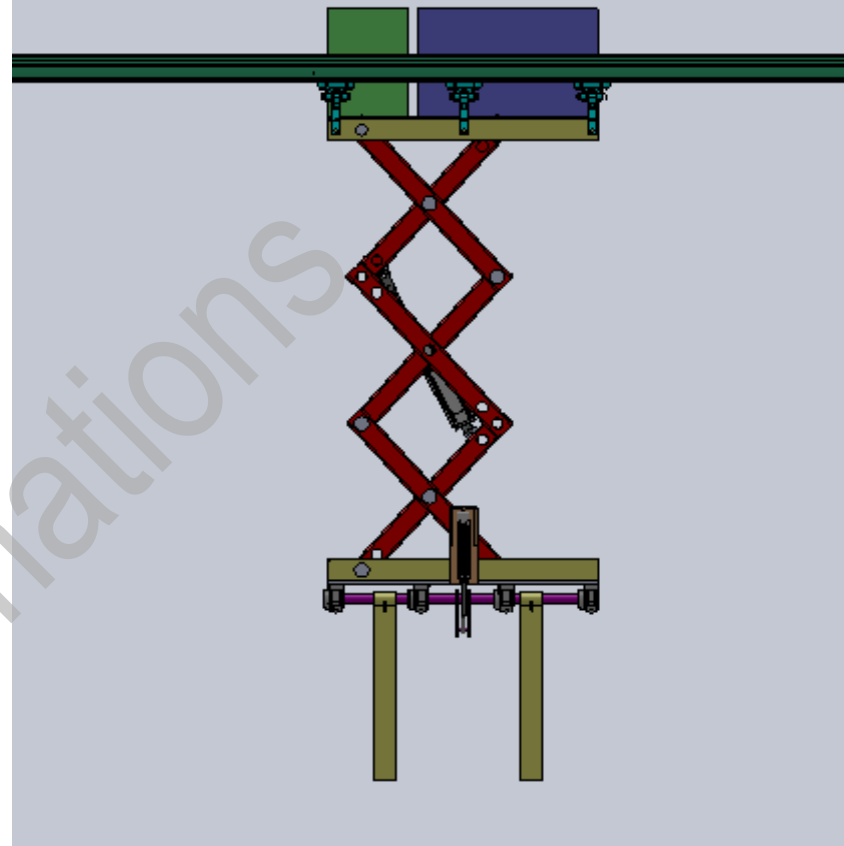
CLOSEUP VIEW OF MAXIMUM LIFTED CONDATION OF THE JOB



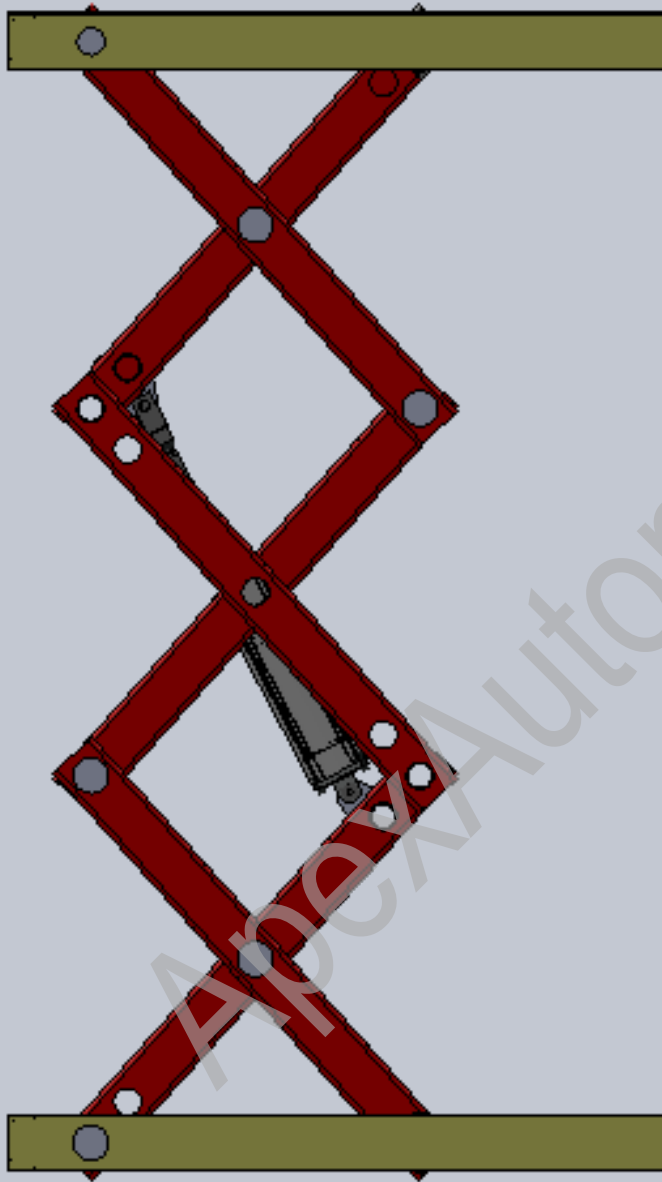
HYDRAULIC CYLINDER PROVIDED FOR SWING ARM FUNCTION



RETRACTED CONDITION



EXTENDED CONDITION



HYDRAULIC SCISSOR  
LIFT CONCEPT

HYDRAULIC SCISSOR  
LIFT IN ISOMETRIC VIEW

